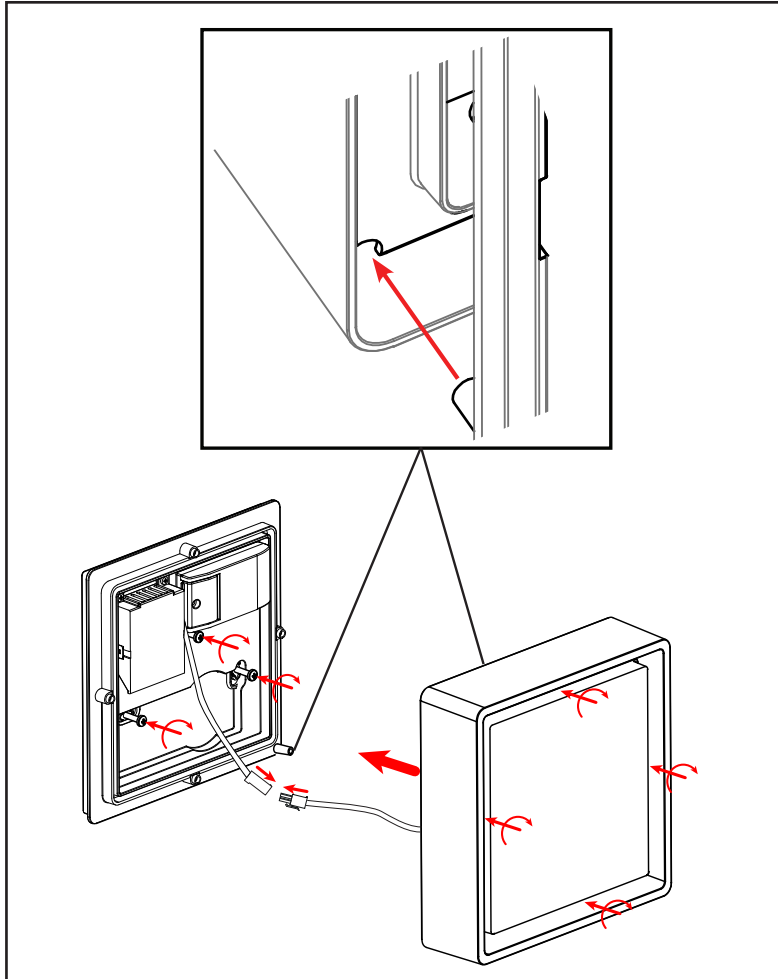


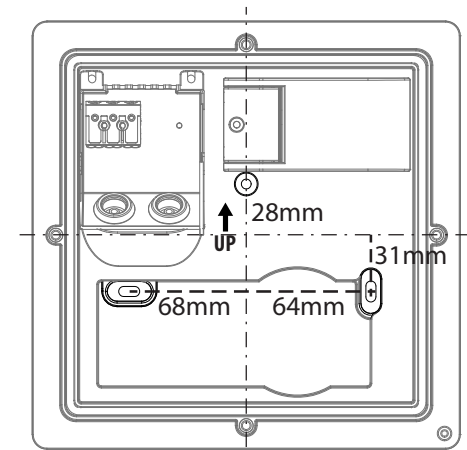
Frame Square / Wall Frame Square Maxi



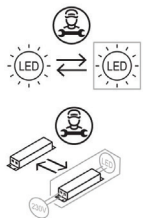
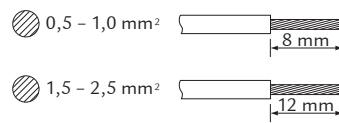
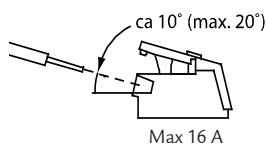
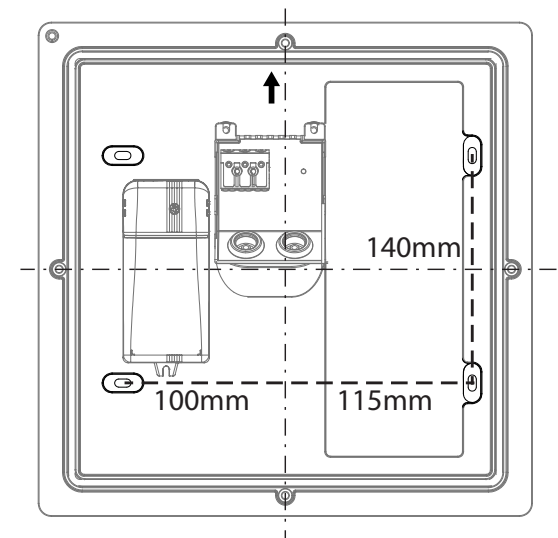
220-240V, 50/60Hz



Frame Square /Wall



Frame Square Maxi



NO: Skru av strømmen før montering.
DK: Sluk for strømmen inden montering.
SE: Stång av strømmen innan montering.
EN: Turn off power before installing.
FR: Couper le courant avant l'installation.
NL: Stroom uitschakelen voor u het toestel installeert.
DE: Vor Installationsarbeiten den Strom abschalten.
FI: Sammuta virta ennen kytkemistä

NO: Kan kun installeres og vedlikeholdes av en registrert installasjonsvirksomhet.
DK: Må kun installeres og vedlikeholdes af uddannet elektriker.
SE: Skall installeras och underhållas av behörig elektriker.
EN: Only to be installed and maintained by an authorized electrician.
FR: Doit être installé et maintenu par un électricien qualifié.
NL: Mag alleen geïnstalleerd en onderhouden worden door een bevoegde electricien.
DE: Dieses Produkt darf nur durch autorisiertes Personal (z.B. Elektro-Installateur) angeschlossen, in Betrieb genommen und gewartet werden.
FI: Asentaa ja huoltaa saa vain valtuutettu sähköasentaja

NORWAY

SG Armaturen AS

Skytterheia 25
N-4790 Lillesand

Tel: +47 37 50 03 00
firmapost@sg-as.no
www.sg-as.no

SWEDEN

SG Armaturen AB
Tel: +46 31 81 71 10
info@sg-ab.se
www.sg-ab.se

FINLAND

SG Armaturen Oy
Tel: +358 02 07 30 39 60
info@sg-oy.fi
www.sg-oy.fi

DENMARK

SG Armaturen A/S
Tel: +45 70 70 72 13
info@sg-as.dk
www.sg-as.dk

UNITED KINGDOM

SG Lighting LTD
Tel: +47 37 50 03 00
info@sglighting.co.uk
www.sglighting.co.uk

FRANCE

SG Lighting SA/NV
Tel: +33(0) 4 94 93 00 00
info.france@sglighting.fr
www.sglighting.net

BENELUX

SG Lighting SA/NV
Tel: +32(0) 15 20 72 71
info.benelux@sglighting.net
www.sglighting.net

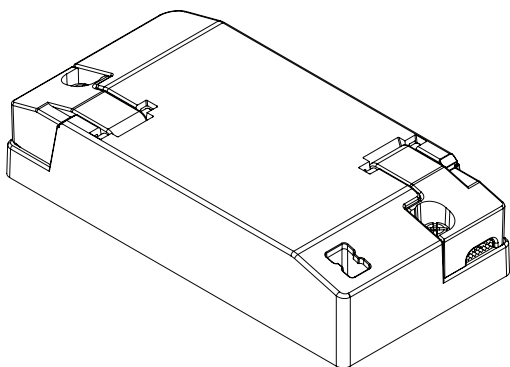
GERMANY

SG Leuchten GmbH
Tel: +49 40 23 99 44 59
info@sg-leuchten.de
www.sg-leuchten.de

INTERNATIONAL

SG Lighting Co Ltd.
Tel: +86 769 88 49 20 88
cindy@sgdgc.com
www.sg-as.com

Dipswitch

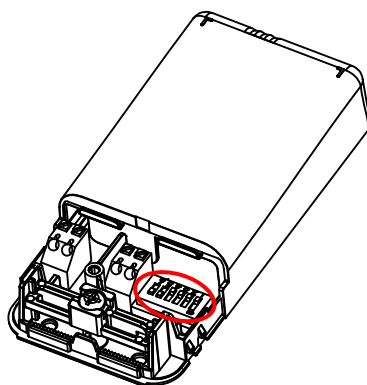
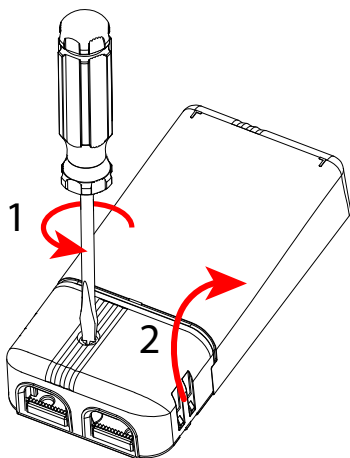


Standard



Frame Square /Wall

| | | | | | | |
|-----------|-------------|------|-----|-----|-----|-----|
| mA | 200 | 250 | 300 | 350 | 400 | 450 |
| Im | 100% | 125% | - | - | - | - |



Standard



Frame Square Maxi

| | | | | | | | |
|-----------|-----|-----|-----|-----|-----|-----|-------------|
| mA | 250 | 300 | 350 | 400 | 450 | 500 | 550 |
| Im | 45% | 55% | 64% | 73% | 82% | 90% | 100% |



| | | |
|-----------|---------|-----------|
| mA | 600-900 | 12/24/28V |
|-----------|---------|-----------|

Motion and daylight sensor



NO: Max antall armaturer er begrenset av sikringen
DK: Det maksimale antal armaturer er begrænset af afbryderen
SE: Max antal armaturer begränsas av säkringen.
EN: Max number of fixtures is limited by the circuit breaker
FR: Le nombre maximum de montages est limité par le disjoncteur
NL: Max. aantal armaturen beperkt door de stroomonderbreker
DE: Die maximale Anzahl der Geräte ist abhängig vom eingesetzten Leitungsschutzschalter
Fi: Valaisinten maksimimäärä määräytyy sulakkeen koon mukaan

Push

No Push

| | | | | |
|---|------------------|------------|----------|----------|
| ✓ | Hold time | | 1 | 2 |
| | | 10 minutes | 1 | 1 |
| | | 5 minutes | 0 | 1 |
| | | 1 minute | 1 | 0 |
| | | 5 seconds | 0 | 0 |

| | | | | |
|---|---------------------------|--------|----------|----------|
| 📶 | Motion sensitivity | | 3 | 4 |
| | | High | 1 | 1 |
| | | Medium | 0 | 1 |
| | | Low | 1 | 0 |
| | | Off | 0 | 0 |

| | | | | |
|----|-----------------------------|--------|----------|----------|
| ☀️ | Daylight sensitivity | | 5 | 6 |
| | | Low | 1 | 1 |
| | | Medium | 0 | 1 |
| | | High | 1 | 0 |
| | | Off | 0 | 0 |

| | | | | |
|---|---------------------|-----|----------|---|
| 🌙 | Midnight cut | On | 7 | 1 |
| | | Off | | 0 |

| | | | | |
|---|--------------------|-----|----------|---|
| % | Basic light | On | 8 | 1 |
| | | Off | | 0 |

Hold time

✓

| | | |
|--------|----------|----------|
| | 1 | 2 |
| 10 min | 1 | 1 |
| 5 min | 0 | 1 |
| 1 min | 1 | 0 |
| 5 sec | 0 | 0 |

NORWAY
SG Armaturen AS

Skytterheia 25
N-4790 Lillesand

Tel: +47 37 50 03 00
firmapost@sg-as.no
www.sg-as.no

SWEDEN

SG Armaturen AB
Tel: +46 31 81 71 10
info@sg-ab.se
www.sg-ab.se

FINLAND

SG Armaturen Oy
info@sg-oy.fi
www.sg-oy.fi

DENMARK

SG Armaturen A/S
Tel: +45 70 70 72 13
info@sg-as.dk
www.sg-as.dk

UNITED KINGDOM

SG Lighting LTD
Tel: +47 37 50 03 00
info@sglighting.co.uk
www.sglighting.co.uk

FRANCE

SG Lighting SA/NV
Tel: +33(0) 4 94 93 00 00
info.france@sglighting.fr
www.sglighting.net

BENELUX

SG Lighting SA/NV
Tel: +32(0) 15 20 72 71
info.benelux@sglighting.net
www.sglighting.net

GERMANY

SG Leuchten GmbH
Tel: +49 40 23 99 44 59
info@sg-leuchten.de
www.sg-leuchten.de

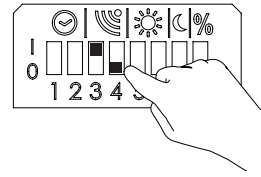
INTERNATIONAL

SG Lighting Co Ltd.
Tel: +86 769 88 49 20 88
cindy@sgdgc.com
www.sg-as.com

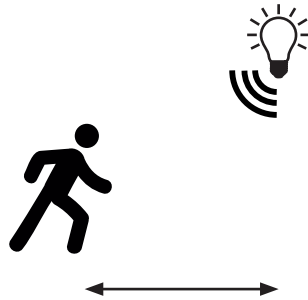
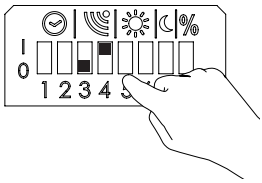
Motion sensitivity

| | 3 | 4 |
|--------|---|---|
| High | 1 | 1 |
| Medium | 0 | 1 |
| Low | 1 | 0 |
| Off | 0 | 0 |

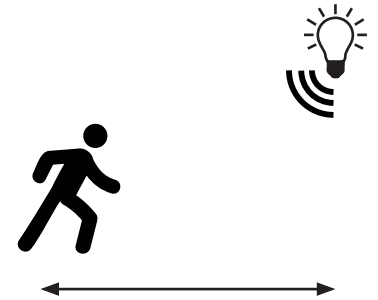
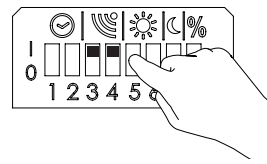
1



2



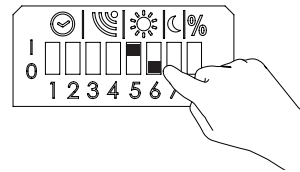
3



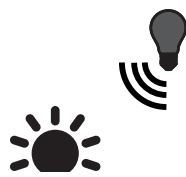
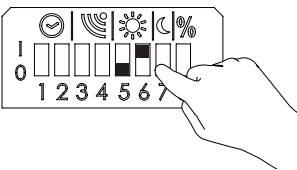
Daylight sensitivity

| | 5 | 6 |
|--------|---|---|
| Low | 1 | 1 |
| Medium | 0 | 1 |
| High | 1 | 0 |
| Off | 0 | 0 |

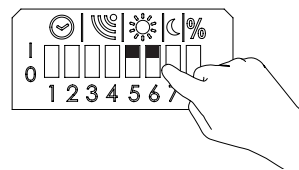
1



2



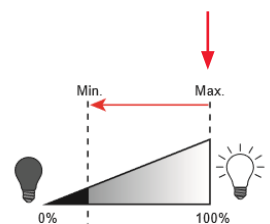
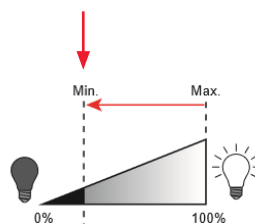
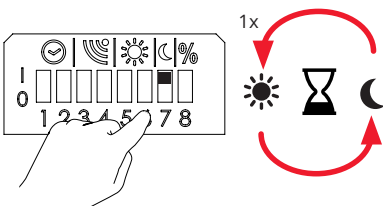
3



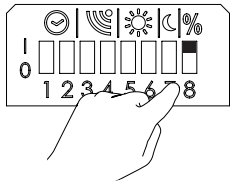
Midnight cut

-00:00 - 05:00 AM

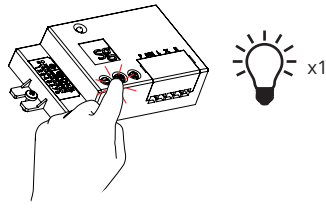
-00:00 - 05:00 AM



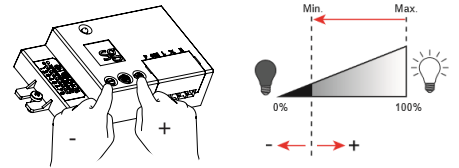
Light levels -
Basic light and max light



1

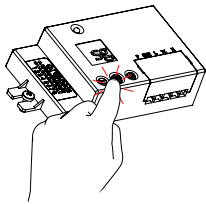


2

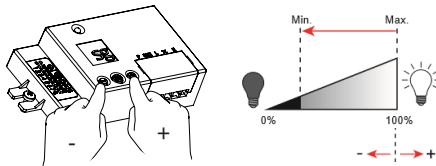


Basic light

3

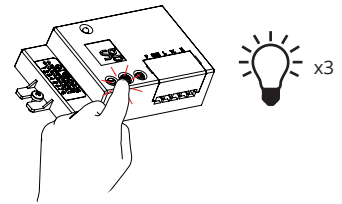


4

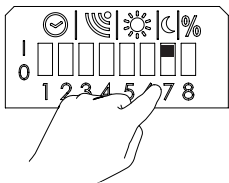


Maximum light level

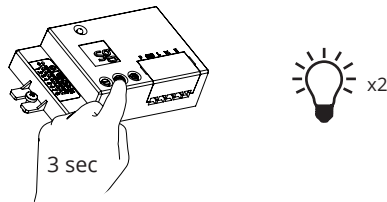
5



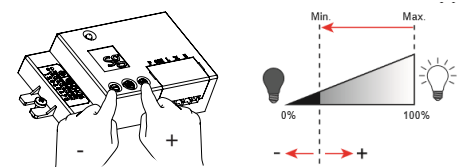
Light levels - Midnight cut



1

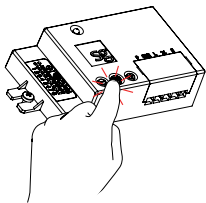


2

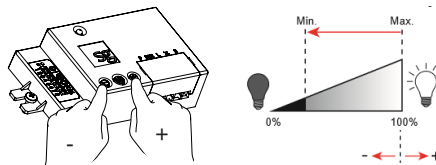


Minimum midnight cut

3



4



Maximum midnight cut

5

